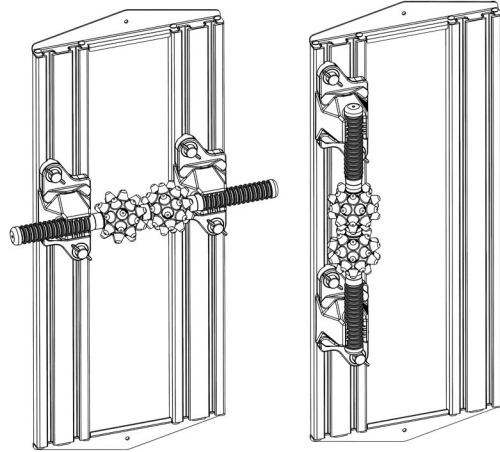
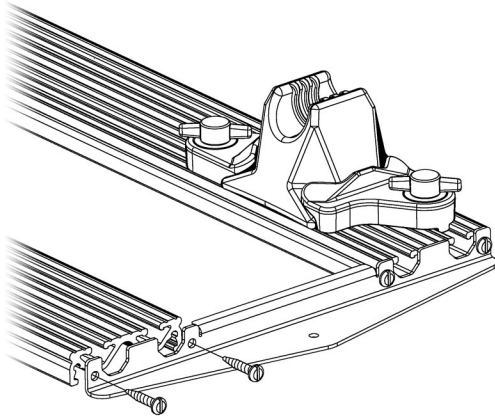


# RumbleRoller Beastie®

## Wall System Assembly Guide



### For Single-Track and Double-Track Systems

The illustrations in this guide depict the Beastie Double-Track Wall System, but the same instructions also apply to the Beastie Single-Track Wall System.

### Parts List

The **Single-Track** Wall System includes:

- (1) slotted aluminum rail
- (2) plated steel end brackets
- (4) #10 x 3/4" screws
- (2) #10 x 1 1/2" screws
- (1) clamp set (2 clamps, thumbscrews, washers & nuts)

The **Double-Track** Wall System includes:

- (2) slotted aluminum rails
- (2) plated steel end brackets
- (8) #10 x 3/4" screws
- (2) #10 x 1 1/2" screws
- (2) clamp sets (4 clamps, thumbscrews, washers & nuts)

### Required Tools

One Phillips screw driver (not included) is required to assemble this product. A level and a stud finder may also be helpful when mounting it to the wall.

### Step 1 - Position

Place the end brackets and aluminum rail(s) on the floor or other flat surface, oriented as shown in the image at the top of this page. Align the outside edge of one rail with the outside edge of one of the end brackets.

### Step 2 - Assemble

Attach the end bracket to the rail using two of the shorter (3/4") screws. These self-tapping screws will form mating threads in the channels of the aluminum rail as they're screwed into place. Install the screws snugly but don't over tighten.

Repeat for both end brackets and rails.

### Step 3 - Hang

Use the two longer (1 1/2") screws to mount the rail assembly to the wall. For the greatest versatility, we recommend positioning the rail assembly so that the top screw hole is at approximately eye level with the tallest intended user.

It's very important that the screws anchor into a wall stud or other sturdy surface. Install the top screw first, then plumb the assembly with a level and install the bottom screw.

### Step 4 - Adjust Clamps

The Single-Track Wall System includes one clamp set, which is used to attach a Beastie Base to the rail. The Double-Track Wall System includes two clamp sets, which is enough to attach a pair of Beastie Bar Stands to the rails. Additional clamp sets can be purchased separately and added to either system.

On the Double-Track System, the clamps allow a Beastie Bar to be positioned either horizontally or vertically, as shown in the image at the top of this page.

Loosen the clamp thumbscrews 1/2 turn to allow repositioning of any component. Tighten by hand, and avoid over tightening.

To remove or change components, loosen the thumbscrews one full turn, then slide the entire clamp/component assembly off the end of the rail. Reverse this procedure to reassemble.

### Enjoy!

To get the most out of your Beastie Wall System, we recommend this instructional DVD, which is available through RumbleRoller retailers or at [SMRtips.com](http://SMRtips.com):

*Jeff Alexander's SMR TIPS for RumbleRoller & RR Beastie*

© 2013 STI

Please visit [www.RumbleRoller.com](http://www.RumbleRoller.com)  
for additional information and the latest updates!